

SPB01



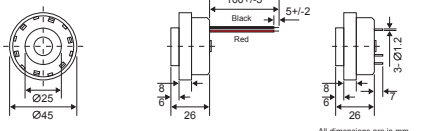
MATERIALS

Color - White
Plastic Material - ABS
Fire Retardant
Terminal - Pin / Wire Type

Weight

approx. 28 gm.

TOP VIEW SIDE VIEW [Wire] SIDE VIEW [Pin]



All dimensions are in mm
Unspecified Tolerance are ± 0.5 mm

Model	Unit	PB01-SC24BWR PB01-SC24BPR	PB01-PC12BWR PB01-PC12BPR	PB01-DC12BWR PB01-DC12BPR
Operating Voltage	V	4.5 ~ 30 / 3 ~ 28	3 ~ 18	3 ~ 18
Rated Voltage	V	24	12	12
* Max. Rated Current	mA	30 / 20	20	30
* Min. Sound Output at 30cm	dBA	100	100	100
* Frequency	Hz	2900 +/- 500	2900 +/- 500	2900 +/- 500
Tone Nature		Single	Pulse	Dual

SPB06

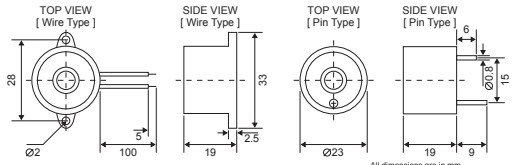


MATERIALS

Color - Black
Plastic Material - ABS
Terminal - Pin / Wire Type

Weight

approx. 8 gm.



All dimensions are in mm
Unspecified Tolerance are ± 0.5 mm

Model	Unit	PB06-SD6AWR PB06-SD6APR	PB06-SD12AWR PB06-SD12APR	PB06-SD24AWR PB06-SD24APR
Operating Voltage	V	3 ~ 18	3 ~ 18	18 ~ 28
Rated Voltage	V	5	12	24
* Max. Rated Current	mA	15	15	20
* Min. Sound Output at 30cm	dBA	90	90	90
* Frequency	Hz	3300 +/- 500	3300 +/- 500	3300 +/- 500
Tone Nature		Single	Single	Single

SPB02

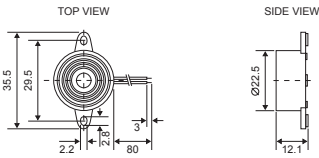


MATERIALS

Color - Black
Plastic Material - ABS
Terminal - Wire Type

Weight

approx. 14 gm.



All dimensions are in mm
Unspecified Tolerance are ± 0.5 mm

Model	Unit	PB02-SD9AWR	PB02-SD12AWR	PB02-SF12AWR
Operating Voltage	V	1.5 ~ 15	1.5 ~ 15	1.5 ~ 15
Rated Voltage	V	9	12	12
* Max. Rated Current	mA	20	20	20
* Min. Sound Output at 30cm	dBA	85	85	90
* Frequency	Hz	3300 +/- 500	3300 +/- 500	5200 +/- 500
Tone Nature		Single	Single	Single
Operating Temperature	°C	-20 ~ +70	-20 ~ +70	-20 ~ +70

SPB07

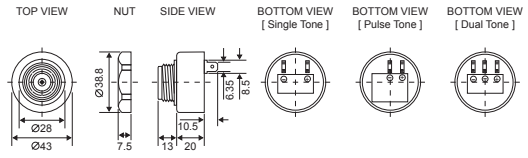


MATERIALS

Color - Black
Plastic Material - ABS
Terminal - Plug Type

Weight

approx. 35 gm.



All dimensions are in mm
Unspecified Tolerance are ± 0.5 mm

Model	Unit	PB07-SC12AER	PB07-FPC12AER	PB07-DC12AER
Operating Voltage	V	6 ~ 28	6 ~ 28	3 ~ 18
Rated Voltage	V	12	12	12
* Max. Rated Current	mA	20	20	20
* Min. Sound Output at 30cm	dBA	80	80	90
* Frequency	Hz	2900 +/- 500	2900 +/- 500	3000 +/- 500
Tone Nature		Single	Fast Pulse	Dual
Operating Temperature	°C	-20 ~ +60	-20 ~ +60	-20 ~ +60

SPB03

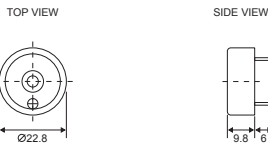


MATERIALS

Color - Black
Plastic Material - PBT
Terminal - Pin Type

Weight

approx. 4 gm.



All dimensions are in mm
Unspecified Tolerance are ± 0.5 mm

Model	Unit	PB03-SD12HPR	PB03-SD24HPR
Operating Voltage	V	3 ~ 18	6 ~ 30
Rated Voltage	V	12	24
* Max. Rated Current	mA	10	15
* Min. Sound Output at 30cm	dBA	85	85
* Frequency	Hz	3500 +/- 500	3500 +/- 500
Tone Nature		Single	Single
Operating Temperature	°C	-20 ~ +60	-20 ~ +70

SPB09

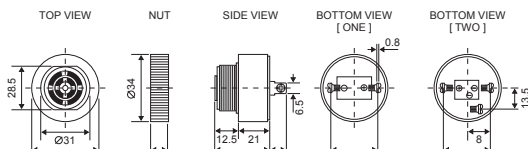


MATERIALS

Color - Black
Plastic Material - ABS
Terminal - Plate Type

Weight

approx. 35 gm.



All dimensions are in mm
Unspecified Tolerance are ± 0.5 mm

Model	Unit	PB09-SC12ATR PB09-SC24ATR	PB09-FPC12ATR PB09-FPC24ATR	PB09-DC12ATR PB09-DC24ATR
Operating Voltage	V	3 ~ 18 / 6 ~ 28	1.5 ~ 15 / 6 ~ 28	3 ~ 18 / 6 ~ 28
Rated Voltage	V	12 / 24	12 / 24	12 / 24
* Max. Rated Current	mA	30 / 22	20 / 40	20 / 40
* Min. Sound Output at 30cm	dBA	95 / 100	95 / 100	95 / 100
* Frequency	Hz	2900 +/- 500	2900 +/- 500	2900 +/- 500
Tone Nature		Single	Fast Pulse	Dual

SPB04

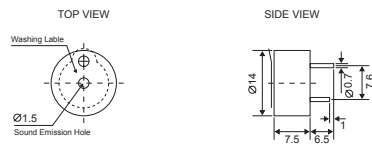


MATERIALS

Color - Black
Plastic Material - PBT
Terminal - Pin Type

Weight

approx. 4 gm.



All dimensions are in mm
Unspecified Tolerance are ± 0.5 mm

Model	Unit	PB04-SE5SHPR	PB04-SE12SHPR	PB04-SE24SHPR
Operating Voltage	V	3 ~ 9	3 ~ 16	3 ~ 30
Rated Voltage	V	5	12	24
* Max. Rated Current	mA	10	10	20
* Min. Sound Output at 10cm	dBA	75	80	85
* Frequency	Hz	4000 +/- 500	4000 +/- 500	4500 +/- 500
Tone Nature		Single	Single	Single
Operating Temperature	°C	-20 ~ +60	-20 ~ +60	-20 ~ +70

SPB10

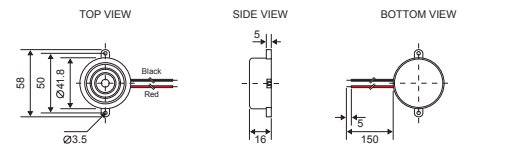


MATERIALS

Color - Black
Plastic Material - ABS
Terminal - Wire Type

Weight

approx. 12.5 gm.



All dimensions are in mm
Unspecified Tolerance are ± 0.5 mm

Model	Unit	PB10-SC12AWR	PB10-PC12SAWR	PB10-FPC12SAWR
Operating Voltage	V	3 ~ 20	3 ~ 20	3 ~ 20
Rated Voltage	V	12	12	12
* Max. Rated Current	mA	12	18	20
* Min. Sound Output at 30cm	dBA	100	90	90
* Frequency	Hz	2800 +/- 500	2800 +/- 500	2800 +/- 500
Tone Nature		Single	Pulse	Fast Pulse
Operating Temperature	°C	-20 ~ +60	-20 ~ +60	-20 ~ +60

SPB05

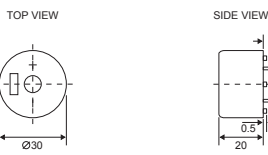


MATERIALS

Color - Black
Plastic Material - PBT
Terminal - Pin Type

Weight

approx. 10 gm.



All dimensions are in mm
Unspecified Tolerance are ± 0.5 mm

Model	Unit	PB05-SD3HPR	PB05-SD12HPR
Operating Voltage	V	2 ~ 5	3 ~ 20
Rated Voltage	V	3	12
* Max. Rated Current	mA	9	10
* Min. Sound Output at 10cm	dBA	90	95
* Frequency	Hz	3500 +/- 500	3600 +/- 500
Tone Nature		Single	Single
Operating Temperature	°C	-20 ~ +65	-30 ~ +85

SPB11

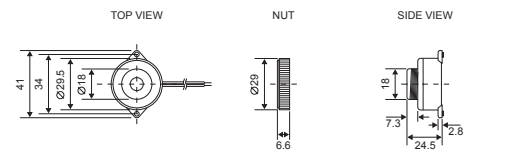


MATERIALS

Color - Black
Plastic Material - ABS
Terminal - Wire Type

Weight

approx. 15 gm.



All dimensions are in mm
Unspecified Tolerance are ± 0.5 mm

Model	Unit	PB11-SD12AWR	PB11-PD24AWR	PB11-DD12AWR
Operating Voltage	V	1.5 ~ 16	15 ~ 28	3 ~ 15
Rated Voltage	V	12	24	12
* Max. Rated Current	mA	15	20	20
* Min. Sound Output at 30cm	dBA	95	95	95/90
* Frequency	Hz	3500 +/- 500	3500 +/- 500	3700 +/- 500
Tone Nature		Single	Pulse	Dual
Operating Temperature	°C	-20 ~ +60	-20 ~ +60	-20 ~ +60

*Value applying at rated voltage

SPB12

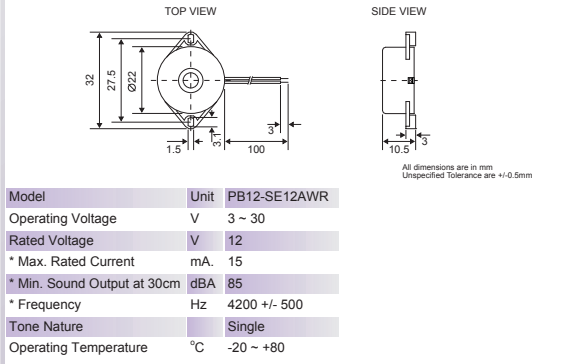


MATERIALS

Color - Black
Plastic Material - ABS
Terminal - Wire Type

Weight

approx. 14 gm.



SPB20

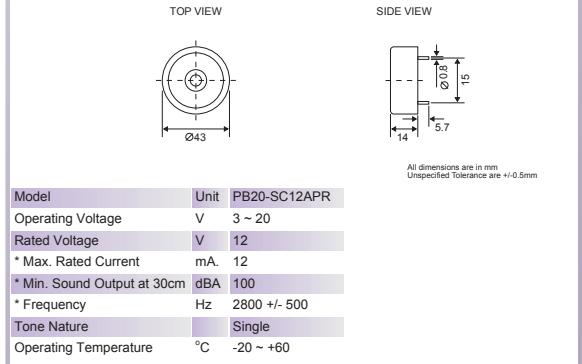


MATERIALS

Color - Black
Plastic Material - ABS
Terminal - Pin Type

Weight

approx. 12 gm.



SPB13

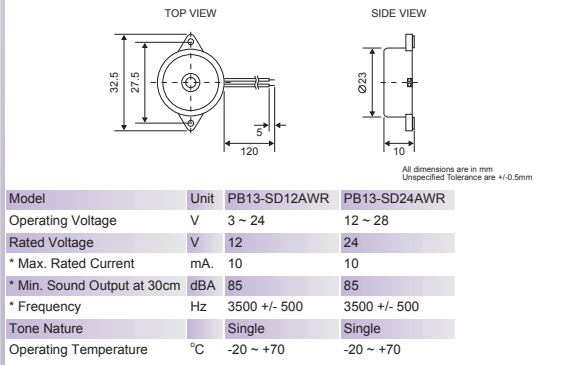


MATERIALS

Color - Black
Plastic Material - ABS
Terminal - Wire Type

Weight

approx. 3.5 gm.



SPB21

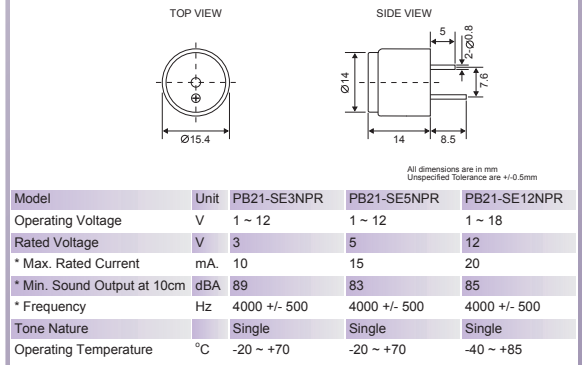


MATERIALS

Color - Black
Plastic Material - Noryl
Terminal - Pin Type

Weight

approx. 2.5 gm.



SPB14

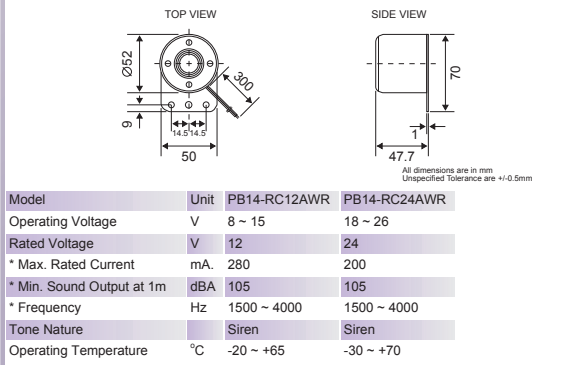


MATERIALS

Color - Black
Plastic Material - ABS
Terminal - Wire Type

Weight

approx. 85 gm.



SPB22

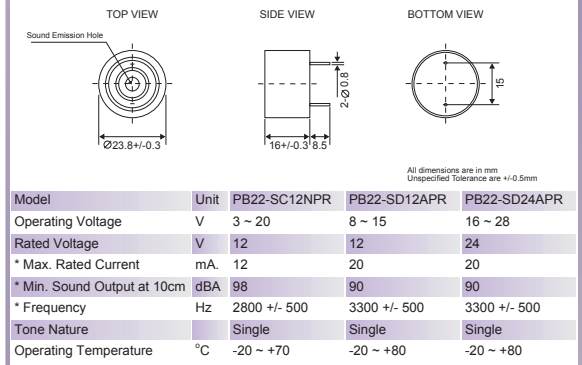


MATERIALS

Color - Black
Plastic Material - ABS / Noryl
Terminal - Pin Type

Weight

approx. 8 gm.



SPB17

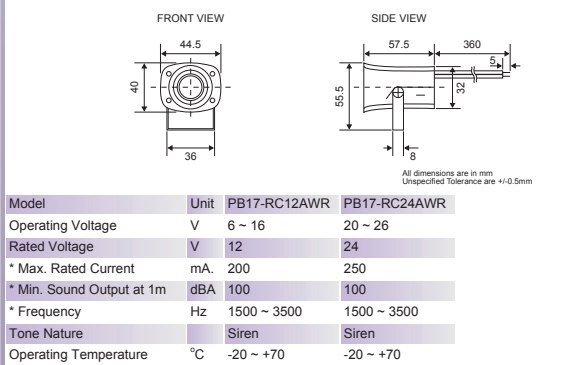


MATERIALS

Color - Black
Plastic Material - ABS
Terminal - Wire Type

Weight

approx. 70 gm.



SPB24

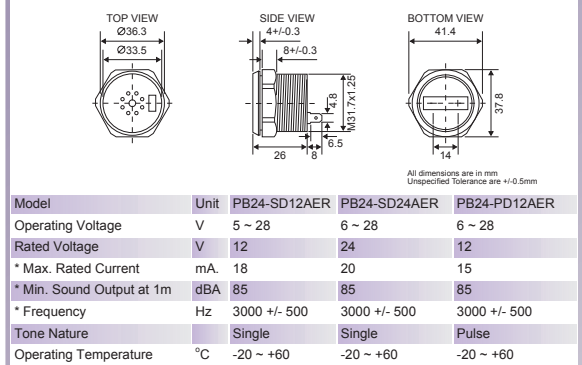


MATERIALS

Color - Black
Plastic Material - ABS
Terminal - Plug Type

Weight

approx. 35 gm.



SPB19

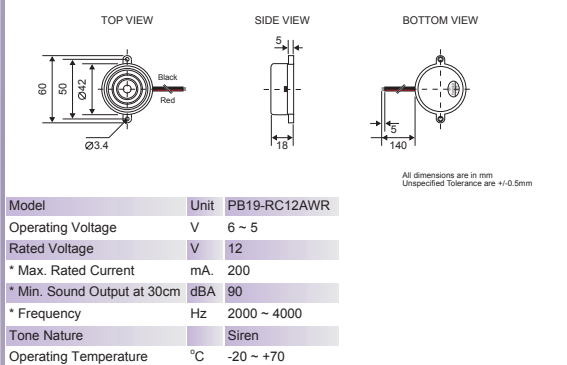


MATERIALS

Color - Black
Plastic Material - ABS
Terminal - Wire Type

Weight

approx. 20 gm.



SPB27

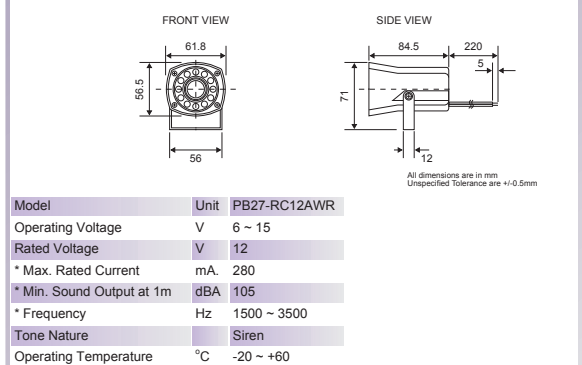


MATERIALS

Color - Black
Plastic Material - ABS
Terminal - Wire Type

Weight

approx. 15 gm.



*Value applying at rated voltage

SPB30

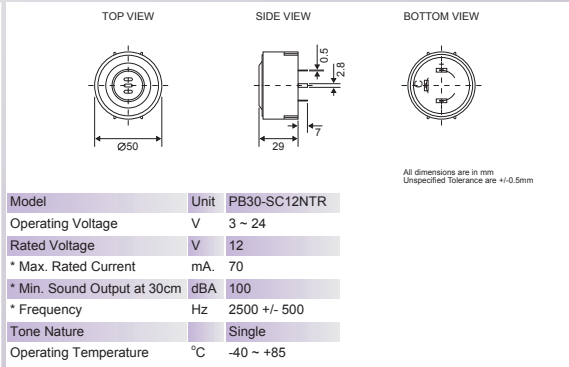


MATERIALS

Color - Black
Plastic Material - Noryl
Terminal - Pin Type

Weight

approx. 27.3 gm.



SPB36

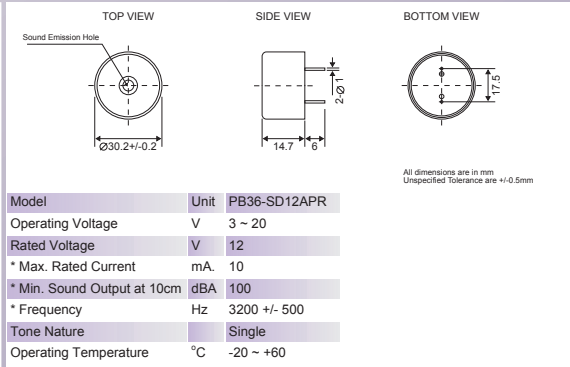


MATERIALS

Color - Black
Plastic Material - ABS
Terminal - Pin Type

Weight

approx. 3 gm.



SPB31

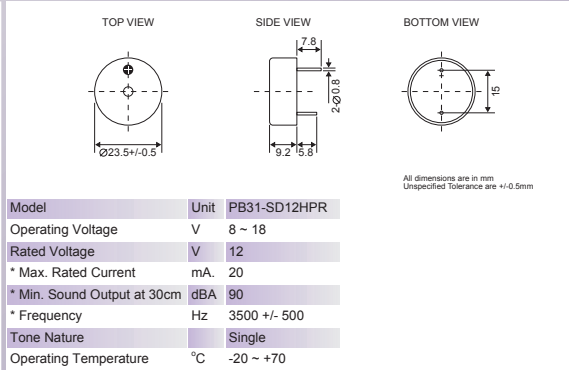


MATERIALS

Color - Black
Plastic Material - PBT
Terminal - Pin Type

Weight

approx. 4 gm.



SPB37

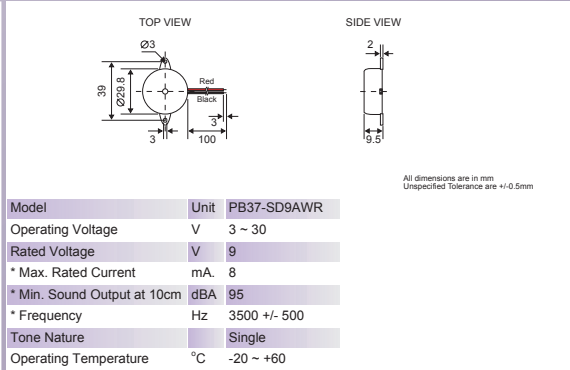


MATERIALS

Color - Black
Plastic Material - ABS
Terminal - Wire Type

Weight

approx. 8 gm.



SPB33

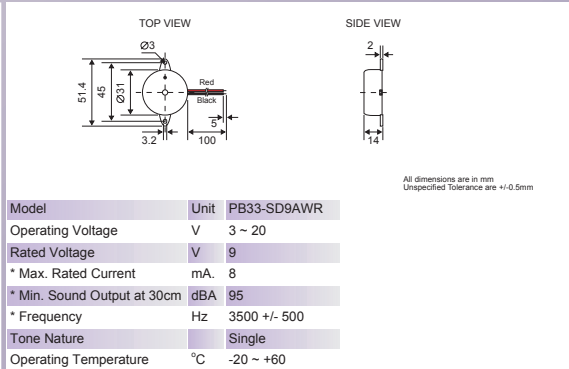


MATERIALS

Color - Black
Plastic Material - ABS
Terminal - Wire Type

Weight

approx. 7.3 gm.



SPB39

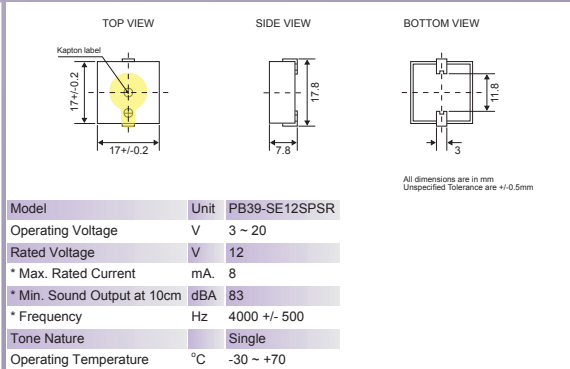


MATERIALS

Color - Grey
Plastic Material - PPS
Terminal - SMD Type

Weight

approx. 2.6 gm.



SPB34

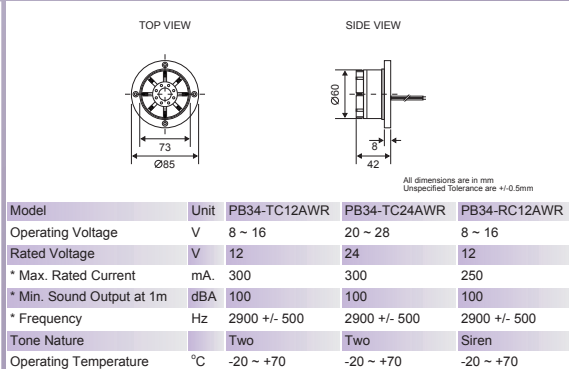


MATERIALS

Color - White
Plastic Material - ABS
Terminal - Wire Type

Weight

approx. 125 gm.



SPB43

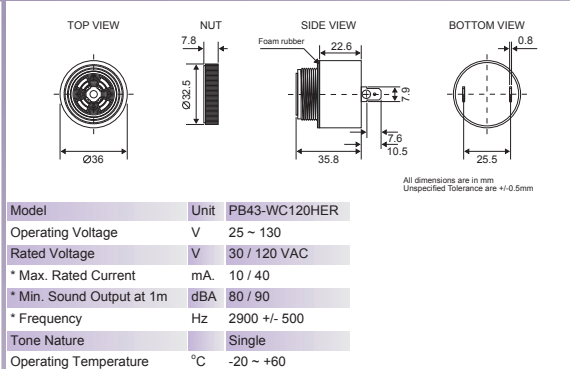


MATERIALS

Color - Black
Plastic Material - PBT
Terminal - Plug Type

Weight

approx. 42 gm.



SPB35

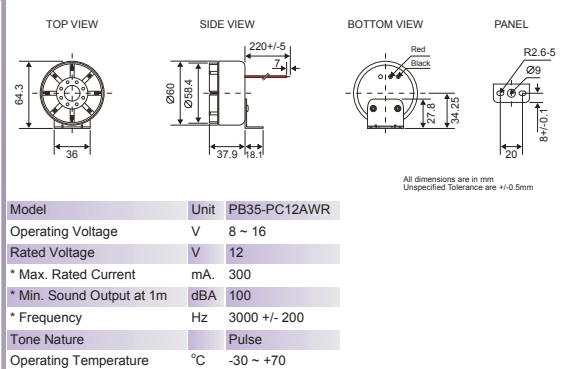


MATERIALS

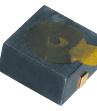
Color - Black
Plastic Material - ABS
Terminal - Wire Type

Weight

approx. 90 gm.



SPB45

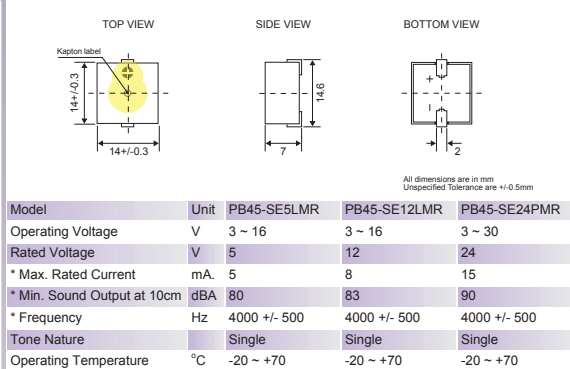


MATERIALS

Color - Black
Plastic Material - LCP / PPS
Terminal - SMD Type

Weight

approx. 2 gm.



*Value applying at rated voltage

SPB47

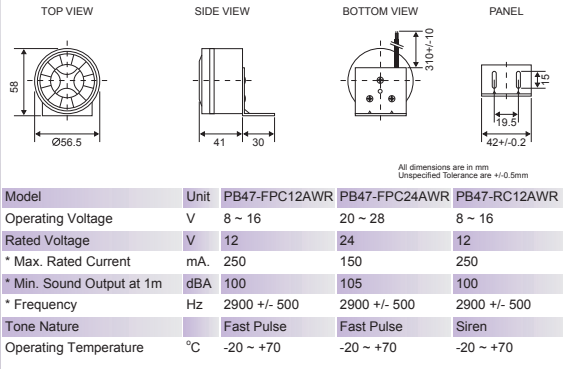


MATERIALS

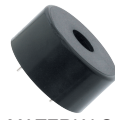
Color - Black
Plastic Material - ABS
Terminal - Wire Type

Weight

approx. 8 gm.



SPB54

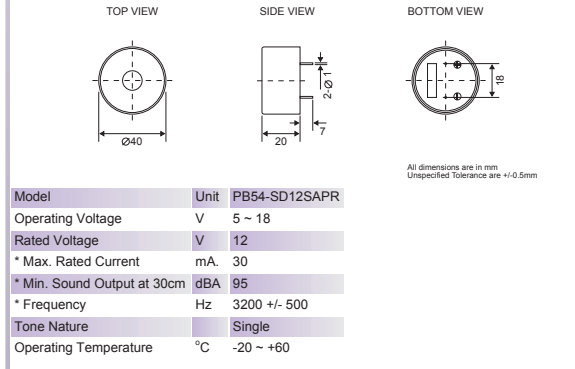


MATERIALS

Color - Black
Plastic Material - ABS
Terminal - Pin Type

Weight

approx. 8 gm.



SPB48

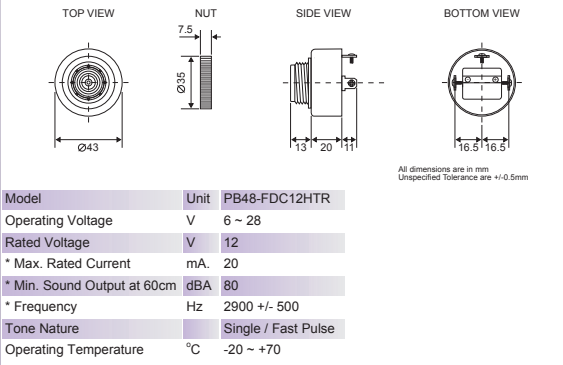


MATERIALS

Color - Black
Plastic Material - PBT
Terminal - Plate Type

Weight

approx. 43 gm.



SPB55

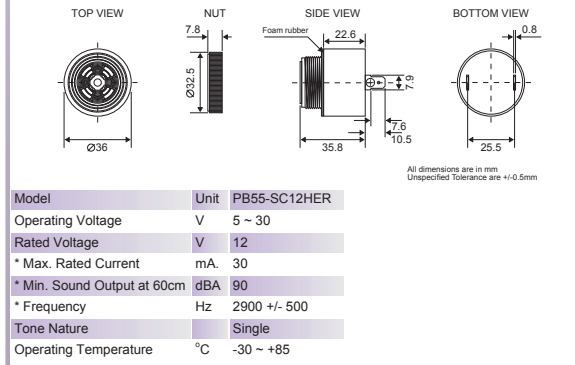


MATERIALS

Color - Black
Plastic Material - ABS
Terminal - Plug Type

Weight

approx. 42 gm.



SPB51

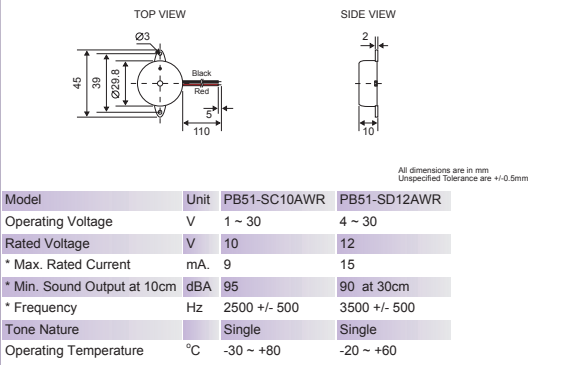


MATERIALS

Color - Black
Plastic Material - ABS
Terminal - Wire Type

Weight

approx. 8 gm.



SPB56

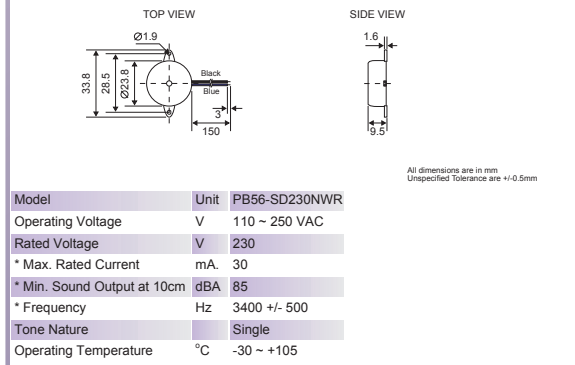


MATERIALS

Color - Black
Plastic Material - ABS
Terminal - Wire Type

Weight

approx. 5 gm.



SPB52

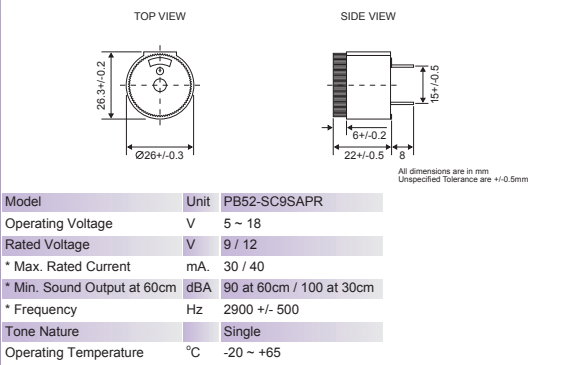


MATERIALS

Color - Black
Plastic Material - ABS
Terminal - Pin Type

Weight

approx. 11 gm.



SPB57

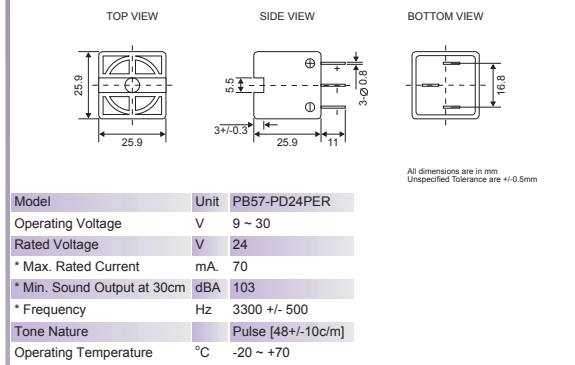


MATERIALS

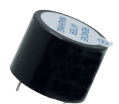
Color - Black
Plastic Material - Nylon
Terminal - Plate Type

Weight

approx. 19.1 gm.



SPB53

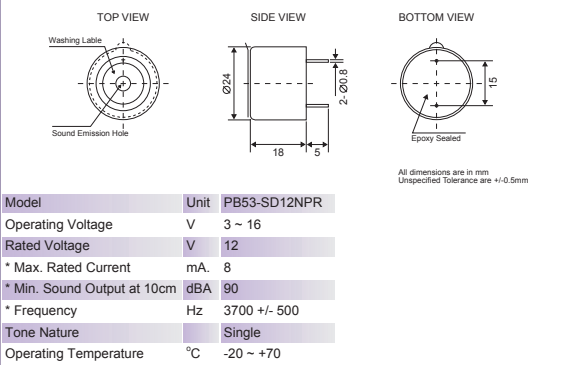


MATERIALS

Color - Black
Plastic Material - Noryl
Terminal - Pin Type

Weight

approx. 5 gm.



SPB58

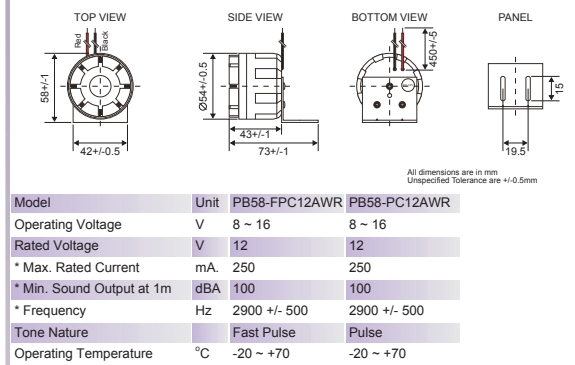


MATERIALS

Color - Black
Plastic Material - ABS
Terminal - Wire Type

Weight

approx. 90 gm.



*Value applying at rated voltage